

New XT Series Fuel Tank

A new 14 065 63-S fuel tank has been implemented with a material that addresses isolated incidents of nylon leaching into the fuel system (previously covered in the 2013-2014 Service Update Book), as well as poor fuel cap installation and fit.

This new tank should be used as the replacement for any such reports and can be identified visually by the round shape of the internal tank neck feature shown below.

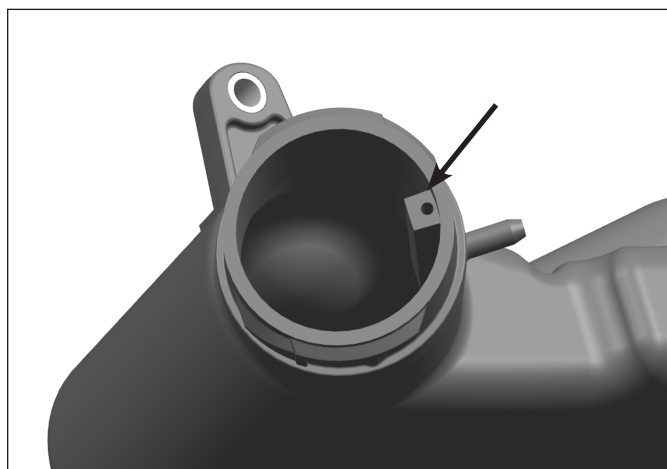


Figure 1. Old Tank 14 065 56-S.

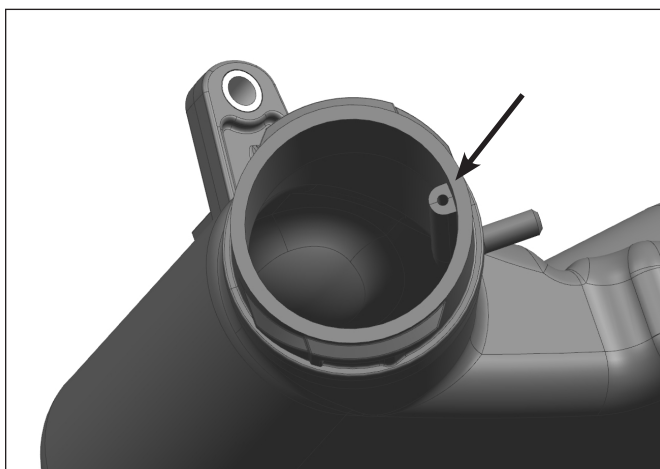


Figure 2. New Tank 14 065 63-S.

If you have inventory of the 14 065 56-S fuel tank, please contact your Central Distributor for a new replacement.

Normal warranty terms apply. For warranty reimbursement, please select Warranty Repair and use 14 065 56-S as the Defective Part Number. Select the appropriate Failure Code. Use Job Code 4074 for fuel tank replacement.

Routing	Service Manager	Sales Manager	Parts Manager	Chief Mechanic	Mechanic No. 1	Mechanic No. 2	Mechanic No. 3	Mechanic No. 4	Return This To
Initial Here									