



Service Advisory

MTD-211

Rear Engine Riders

Affected Models: 200 Series Rear Engine Riders (Mini-Rider, Neighborhood Rider)

Affected S/N Range: **2013 Model Year Through Current Production**

Date: August 25, 2016

Subject: 30" Deck Switch Lock

NOTE: These materials are prepared for use by trained technicians who are experienced in the service and repair of equipment of the kind described in this publication, and are not intended for use by untrained or inexperienced individuals. Such individuals should seek the assistance of an authorized service technician or dealer.

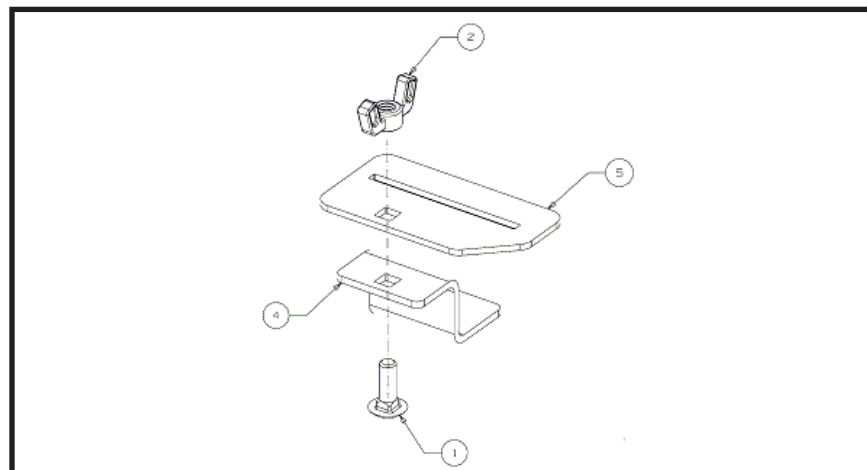
NOTE: Always wear eye protection while servicing equipment. Wear hearing protection when appropriate. Always work in a well ventilated area and follow all safety precautions when dealing with combustible materials.

NOTE: Left (LH) and Right (RH) sides are determined from the operator's position and facing in the forward direction

Purpose: A Service Kit, **759-05133**, has been developed to provide for the correct installation of the deck side discharge chute and/or the bagger discharge chute to ensure full travel of the deck safety switch plunger. The rider's starter will not energize unless the discharge chute, when installed, depresses the deck switch plunger sufficiently to complete the starter circuit.

Contents of 759-05133

ITEM NUMBER	PART NUMBER	QUANTITY	DESCRIPTION
1	710-0703	1	SCREW: CARRIAGE: 1/4-20: .75GR5
2	712-0109A	1	NUT: WINGLOCK: 1/4-20
3	*	1	Not Shown-Instruction Sheet (Not Available Separately)
4	783-08074	1	BRACKET: SWITCH LOCK: MOUNTING
5	783-09473	1	BRACKTE: SWITCH LOCK



This Advisory is for **INFORMATIONAL PURPOSES** only