

## 900 Series Snow Thrower

Affected Models: 900 Series Snow Throwers

Affected S/N Range: **N/A**

Date: September 9, 2015

Subject: Replacement of Friction Wheel Assembly Part Number 718-04034

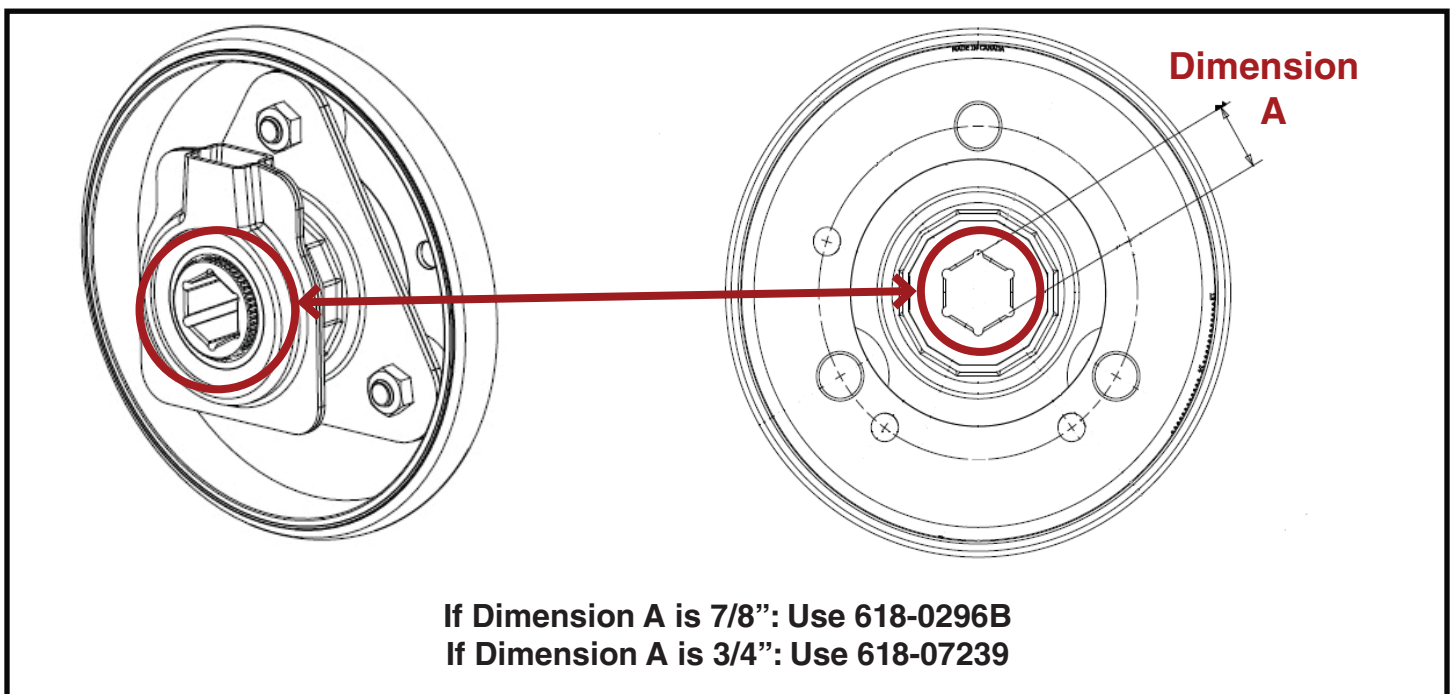
**NOTE:** These materials are prepared for use by trained technicians who are experienced in the service and repair of equipment of the kind described in this publication, and are not intended for use by untrained or inexperienced individuals. Such individuals should seek the assistance of an authorized service technician or dealer.

**NOTE:** Always wear eye protection while servicing equipment. Wear hearing protection when appropriate. Always work in a well ventilated area and follow all safety precautions when dealing with combustible materials.

**NOTE:** Left (LH) and Right (RH) sides are determined from the operator's position and facing in the forward direction

### Purpose:

- The bonded friction wheel, part number 718-04034, is **No Longer Available**, and was a part used in friction wheel assemblies that had either a 7/8" hex shaft or a 3/4" hex shaft.
- If 718-04034 is needed on a 900 Series snow thrower that has a 7/8" hex shaft, use friction wheel assembly part number 618-0296B.
- If 718-04034 is needed on a 900 Series snow thrower that has a 3/4" hex shaft, use friction wheel assembly part number 618-07239.



**This Advisory is for Information Only**