



Service Kit 753-08554

Date: August 27, 2015

Subject: 618-05010 Replacement Service Kit

Part Numbers Affected: **618-05010, 918-05010, 618-05010A, 918-05010A**
Tuff Torq Hydro Transmission Assembly

Read and understand these instructions thoroughly before proceeding with repair.

PURPOSE:

The Tuff Torq Transmission Assembly **618-05010, 618-05010A / 918-05010, 918-05010A** has been replaced by the **618-07210 / 918-07210**. A change was made to the location of a mounting boss on the upper housing for the belt keeper.

NOTE: These materials are prepared for use by trained technicians who are experienced in the service and repair of equipment of the kind described in this publication, and are not intended for use by untrained or inexperienced individuals. Such individuals should seek the assistance of an authorized service technician or dealer.

NOTE: Always wear eye protection while servicing equipment. Wear hearing protection when appropriate. Always work in a well ventilated area and follow all safety precautions when dealing with combustible materials.

NOTE: Left (LH) and Right (RH) sides are determined from the operator's position and facing in the forward direction.

NOTE: Save this Instruction Sheet. Refer to it when ordering replacement parts.

Service Kit Contents

(See Figure 1)

ITEM NO.	PART NUMBER	QTY	DESCRIPTION
1	618-07210	1	TRANS ASM:HYDRO:K46:LT
2	783-09012	1	BRKT:BELT KEEPBR
3	783-09017	1	BRKT:BELT PLATE
4	710-0817	1	SCR:TT:5/16-18:1.250:HXINDWSH
5	750-05512	1	SPACER:0.330 x 0.715 x 0.430
	*	1	THIS INSTRUCTION SHEET

* - Not Available Separately

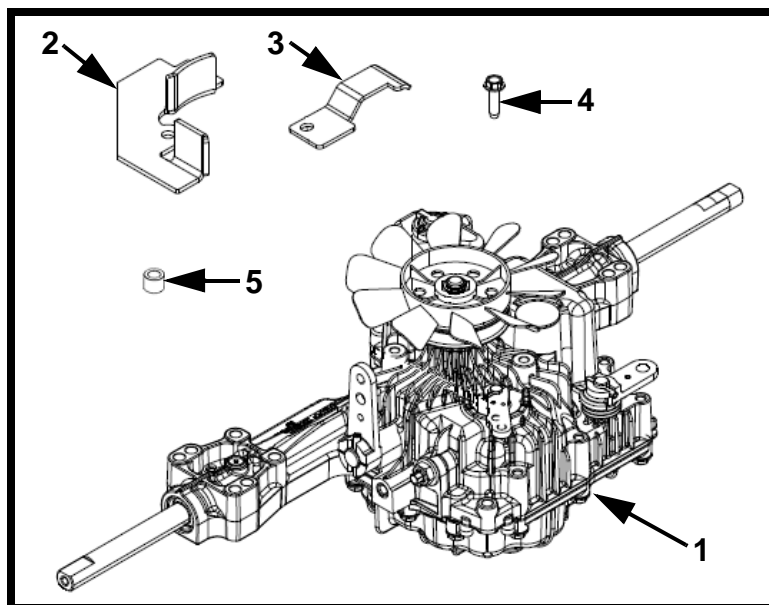


FIGURE 1

Prior to installation of Item #1 (**618-07210**) K46 LT Hydro Transmission Assembly into the tractor follow the instructions on Page 2.

Set-Up Instructions:

1. Set Item #1 (618-07210) K46 LT Hydro Transmission Assembly on a flat level workbench surface.
2. Remove the transmission drive pulley.
3. Remove the hex screw, lock washer and flat washer from the hole in the fan assembly on the K46 LT Hydro Transmission. See Figure 2.

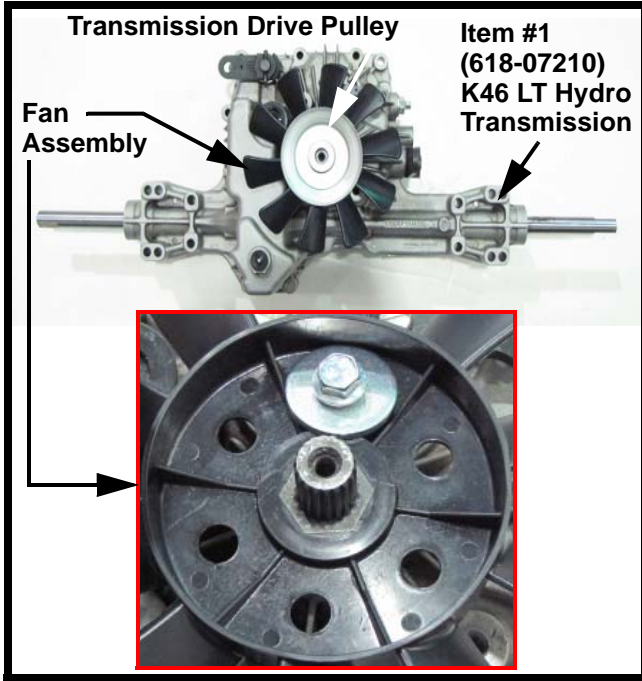


FIGURE 2

4. Remove the fan assembly.

NOTE: Retain the hex screw, lock washer, flat washer, and fan assembly for installation after the transmission is installed in the tractor.

5. Locate the mounting hole boss for the Tuff Torq Belt Keeper Bracket and plate. Notice that the hole is not threaded. See Figure 3. Use Item #4 (710-0817) 5/16-18 x 1.250" Tap Tite Screw to cut threads into the hole. Slowly thread the screw all the way in, then remove it.

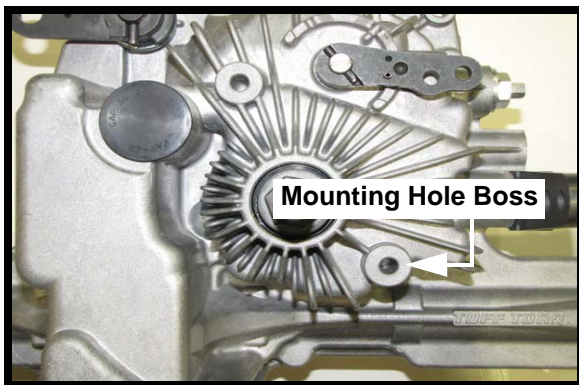


FIGURE 3

6. Install Item #5 (750-05512) Spacer on top of the mounting hole boss that was threaded in Step 5.

7. Place Item #2 (783-09012) Belt Keeper Bracket on top of the spacer, then place Item #3 (783-08017) Belt Plate Bracket on top of the belt keeper bracket. See Figure 4.

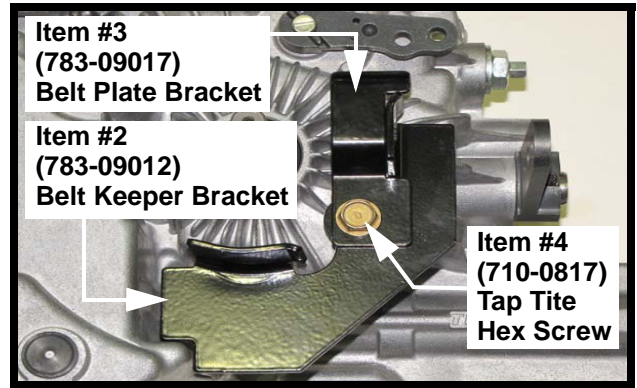


FIGURE 4

8. Install Item #4 (710-0817) 5/16-18 x 1.250" Tap Tite Hex Screw through items #2, #3 and #5. Torque to 180-220 in. lbs. See Figure 4.

9. Install the transmission drive pulley onto the input shaft of the transmission. See Figure 5.

10. The K46 LT Hydro Transmission Assembly is ready to install into the tractor.

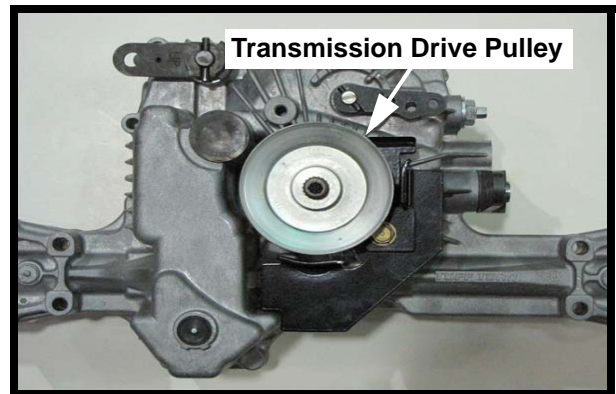


FIGURE 5

11. After installation of the K46 LT Hydro Transmission Assembly, install the drive belt around the transmission drive pulley, then install the fan, flat washer, lock washer and hex screw as shown in Figure 6. Torque the hex screw to 70 -100 in. lbs.

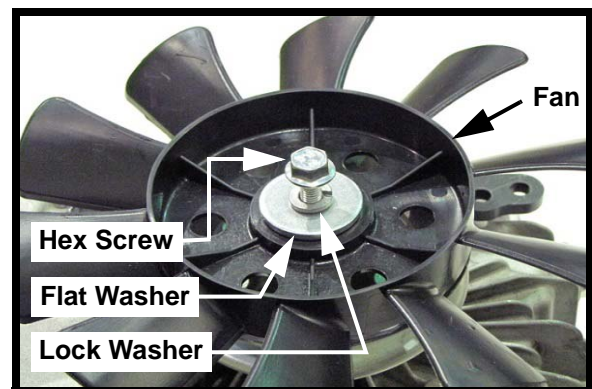


FIGURE 6