

Chore Performers-Vertical Tine Tillers (VTT)

Affected Models: Vertical Tine Tillers of all MTD Brands.

Affected S/N Range: **N/A**

Date: September 1, 2015

Subject: Correct Oil Level in the Gearcase.

This Advisory is considered to be **INFORMATIONAL ONLY**

NOTE: These materials are prepared for use by trained technicians who are experienced in the service and repair of equipment of the kind described in this publication, and are not intended for use by untrained or inexperienced individuals. Such individuals should seek the assistance of an authorized service technician or dealer.

NOTE: Always wear eye protection while servicing equipment. Wear hearing protection when appropriate. Always work in a well ventilated area and follow all safety precautions when dealing with combustible materials.

NOTE: Left (LH) and Right (RH) sides are determined from the operator's position and facing in the forward direction

Purpose: To provide information regarding the correct oil level in the gearcase of Vertical Tine Tillers.

- The transmission contains 41.0 oz. (1.2L) of gear oil.
- If adding only a few ounces of gear oil, use API rated GL-4 or GL-5 gear oil having a viscosity of SAE 140, SAE 85W-140 or SAE 80W-90.
- If refilling an empty transmission, use only GL-4 gear oil having a viscosity of SAE 85W-140 or SAE 140.
- When *FULL*, the oil level will just cover the main driveshaft. The level can be checked through the oil fill plug on the transmission housing.

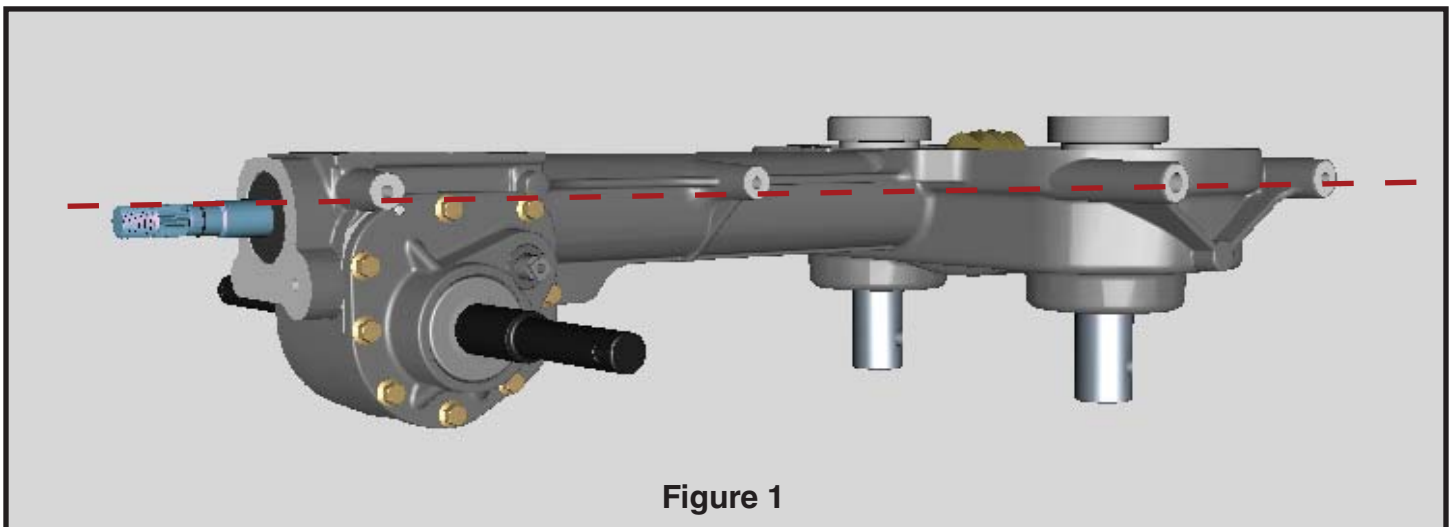


Figure 1

SERVICE MANAGER	PARTS MANAGER	SALES MANAGER	SERVICE TECH.	SERVICE TECH.

Circulate and Initial