



Supplement Sheet

Date: September 03, 2015
Subject: Muffler, Muffler Deflector, Exhaust Pipe & Muffler Heat Shields
Models Affected: All Brands and Models of Riders / Tractors

NOTE: These materials are prepared for use by trained technicians who are experienced in the service and repair of equipment of the kind described in this publication, and are not intended for use by untrained or inexperienced individuals. Such individuals should seek the assistance of an authorized service technician or dealer.

NOTE: Always wear eye protection while servicing equipment. Wear hearing protection when appropriate. Always work in a well ventilated area and follow all safety precautions when dealing with combustible materials.

NOTE: Left (LH) and Right (RH) sides are determined from the operator's position and facing in the forward direction.

PURPOSE:

When installing a new muffler always make sure the required exhaust gaskets, muffler deflector or exhaust pipe and muffler heat shield or shields are installed. See Steps 1 and 2.

ACTION REQUIRED:

1. Make sure the required muffler deflector or exhaust pipe is removed from the old muffler and installed onto the new muffler. If the old muffler is missing a muffler deflector or exhaust pipe, refer to the IPL (Illustrated Parts List) of the model of equipment the muffler is being replaced on.

Order and install the exhaust gaskets, muffler deflector or exhaust pipe and any hardware needed. Figure 1 shows an example of a muffler with exhaust gaskets and muffler deflector or a muffler with exhaust gaskets and exhaust pipe.

NOTE: Never install a muffler without a muffler deflector or exhaust pipe when the model of equipment being serviced shows a muffler deflector or exhaust pipe in the IPL as being standard equipment.

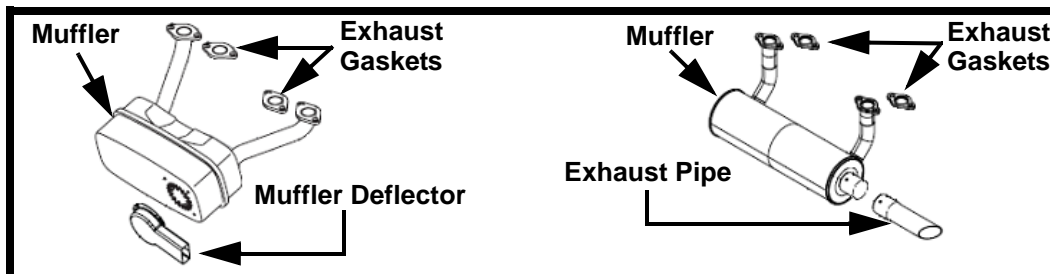


FIGURE 1

2. Confirm that all muffler heat shield or shields are installed. The quantity and placement of the muffler heat shield or shields will vary from the type of equipment to the different models of equipment. Always refer to the IPL (Illustrated Parts List) of the model of equipment being serviced for reference of any muffler heat shield or shields.

Order and install any missing muffler heat shield or shields along with the hardware required to install the muffler heat shield or shields. Figure 2 shows examples of some of the different muffler heat shield configurations.

NOTE: Never install a muffler without a muffler heat shield or shields when the model of equipment being serviced shows a muffler heat shield or shields in the IPL as being standard equipment.

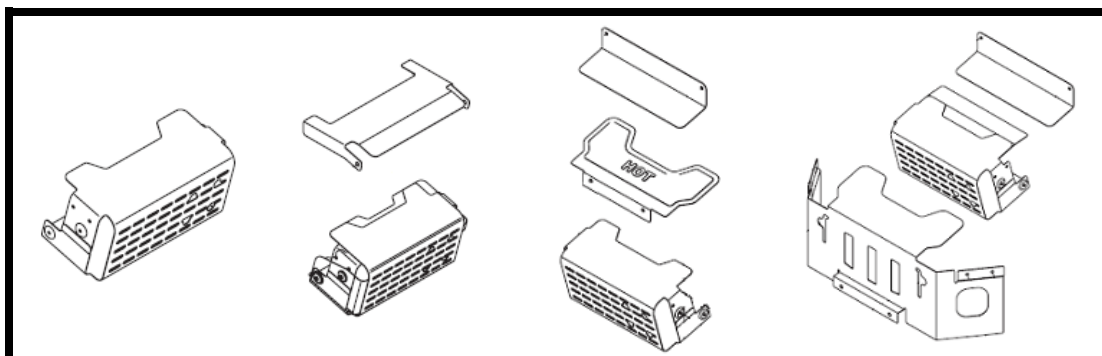


FIGURE 2